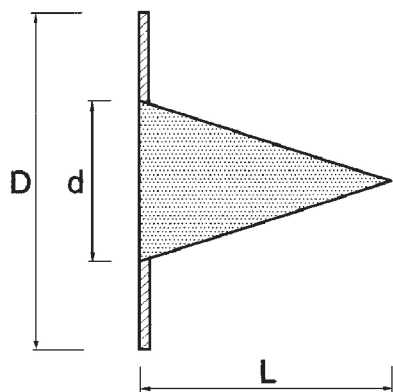


# FILTRI TEMPORANEI - Temporary filters - Filtres temporaires



Spessore : 5 mm  
thickness - épaisseur

RETE INOX n° 35 AISI 304  
Stainless steel net  
Filet en acier inox

	D	d	L	Cod.
<b>2"</b>	105	50	70	<b>4.52.14</b>
<b>2" 1/2</b>	125	65	100	<b>4.52.15</b>
<b>3"</b>	140	80	160	<b>4.52.16</b>
<b>4"</b>	160	100	170	<b>4.52.17</b>
<b>5"</b>	188	129	190	<b>4.52.18</b>
<b>6"</b>	215	150	230	<b>4.52.19</b>
<b>8"</b>	270	200	260	<b>4.52.20</b>

**COPRIM - ITALY**

FILO DA 0,4 mm Wire - fil

SUPERFICIE UTILE DI PASSAGGIO 0,561 - Passage useful surface - Surface utile de passage

CORONA IN ACCIAIO ZINCATO CON RIGATURA PER GUARNIZIONI

Zinc plated steel ring with scorings for gaskets - Anneau en acier zingué avec rayage pour joints



## FILTRI IN ALLUMINIO

ALLUMINIUM FILTERS

filtres en aluminium

P max 6 bar

	Cod.
Ø 1/2"	4.52.70
3/4"	4.52.71
1"	4.52.72
1" 1/4	4.52.73
1" 1/2	4.52.74
2"	4.52.75

DN 65 PN 16 4.52.77

DN 80 PN 16 4.52.78

# FILTRO M - F 1" a rete PN 40

NET FILTER

FILTRE 1" au réseau

**COPRIM - ITALY**



**GPL - LPG**

Cod. **6.15.01**

**METANO**

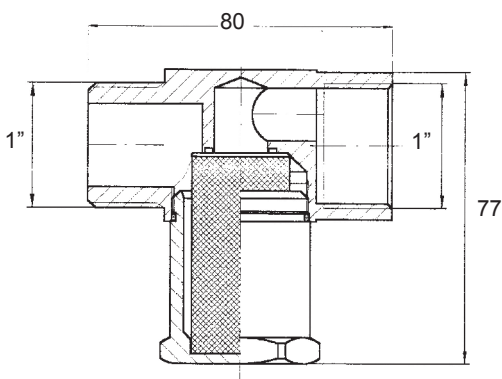
NATURAL GAS

GAZ NATREL

Cod. **6.15.011**

## Specifica materiali - Features - Caractéristiques

- Corpo Acciaio AVP galvanizzato  
Steel body - Corp en acier
- Coperchio Acciaio AVP galvanizzato  
Steel cover - Covercle en acier
- Cartuccia Rete inox 100 micron - GPL - LPG  
100  $\mu$  stainless steel cartridge - Cartouche en acier inox 100  $\mu$
- Cartuccia 20 micron - Metano - Natural gas  
Resin treaded fiber - rot proof water-repellent - Fibre traitée avec résines
- Fibra trattata con resine - imputrescibile e idrorepellente  
Fibre treated with resins
- Anelli OR NBR  
O ring - Anneaux
- Filettatura gas cilindrica  
Cylindric gas thread - Filetage gaz cylindrique



# FILTRI A Y IN ACCIAIO - Y STEEL FILTER - FILTRE AU Y EN ACIER

**COPRIM - ITALY**

**€ ISPEL 0100**  
**modulo H - H1**  
 Garanzia di Qualità Totale

**PED**  
 Pressure  
 Equipment  
 Directive



Test pressione corpo 100 bar

Body pressure test

Test pression corps

Test pressione pneumatica 10 bar

Pneumatic pressure test

Test pression pneumatique

## MATERIALI E CARATTERISTICHE COSTRUTTIVE

Material and construction features

Matériels et caractéristiques constructives

Corpo in acciaio ASTM A 352 LCC

Steel body - Corp en acier

Temperatura di lavoro -40 +120 °C

Work temperature - Température de travail

Cartuccia in acciaio inox

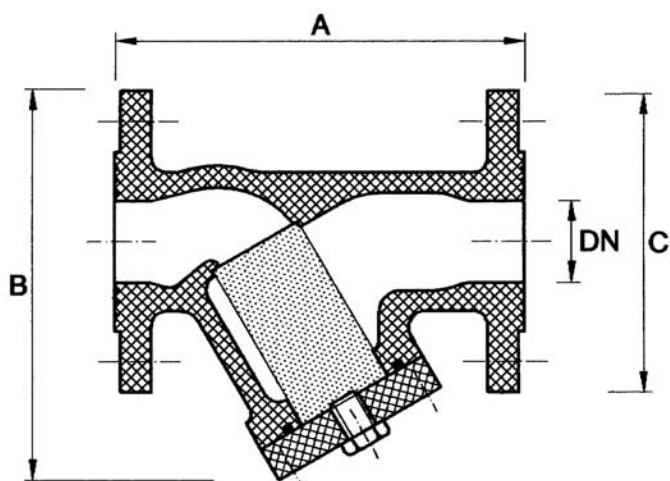
Stainless steel cartridge - Cartuche en acier inox

## IMPIEGHI - Use - Emplois

Per acqua, gas, GPL, liquidi non aggressivi e vapore.

For water, gas, lpg, not aggressive liquid and steam.

Pour eau, gaz, gpl, liquides pas agressif, vapeur.



**ANSI 300 +20 %**

DN	A	B	C	Peso Kg	Cod.
25	160	150	115	5,5	6.15.05
32	180	180	140	7,5	6.15.10
40	200	190	150	8	6.15.15
50	230	240	165	12	6.15.20
65	290	260	185	15	6.15.25
80	310	260	200	21	6.15.30
100	350	320	235	28	6.15.35
150	380	350	300	35	6.15.40

# GIUNTI DIELETRICI

## DIELECTRIC JOINT

## JOINT DIELECTRIQUES

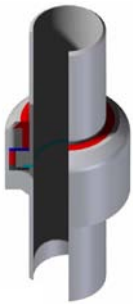
**COPRIM - ITALY**

**PN** pressione nominale  
**nominal pressure**  
 pression nominale

MATERIALE: ACCIAIO  
 TEMPERATURA DI ESERCIZIO: da -15°C a +70°C  
 TENSIONE DI ISOLAMENTO: 3 Kw  
 RESISTENZA DI ISOLAMENTO IN ARIA: 5 M om  
 VERNICE EPOSSIFENOLICA

Material: steel  
 Working temperature: from -15°C to 70 °C  
 Voltage of air insulation: 3 Kw  
 Insulation resistance in the air: 5 M om  
 Epoxy-phenolic paint

Matériel: acier  
 Température d'exercice: de -15°C a 70°C  
 Tension d'isolement en air: 3 Kw  
 Résistance d'isolement en air: 5 M om  
 Peinture epoxy-phenolic



A SALDARE  
**WELDABLE**  
 SOUDABLE



FILETTATI  
**THREADED**  
 FILETÉE



	A	cod.
<b>PN 10</b>	220	3/4" 6.01.02
	230	1" 6.01.03
	250	1"1/4 6.01.04
	260	1"1/2 6.01.05
	290	2" 6.01.06
	330	2"1/2 6.01.07
	350	3" 6.01.08
	<b>PN 25</b>	250
250		1" 6.01.11
300		1"1/4 6.01.12
300		1"1/2 6.01.13
350		2" 6.01.14
350		2"1/2 6.01.15
400		3" 6.01.16
400		4" 6.01.17
500		5" 6.01.18
500		6" 6.01.19
500		8" 6.01.20
700		10" 6.01.21
700	12" 6.01.22	
<b>PN 100</b>	250	1/2" 6.01.40
	250	3/4" 6.01.41
	250	1" 6.01.42
	300	1"1/4 6.01.43
	300	1"1/2 6.01.44
	350	2" 6.01.45
	350	2"1/2 6.01.46
	500	3" 6.01.47
	500	4" 6.01.48
	600	5" 6.01.49
	600	6" 6.01.50
	600	8" 6.01.51
	800	10" 6.01.52
	800	12" 6.01.53
<b>PN 10 M/F</b>	100	1/2" 6.01.60
	110	3/4" 6.01.61
	120	1" 6.01.62
	135	1"1/4 6.01.63
	145	1"1/2 6.01.64
	150	2" 6.01.65
	170	2"1/2 6.01.66
	200	3" 6.01.67
		4" 6.01.68